



EC control panel with inverter



Level sensor



### I Application

The compact and robust design of the Kiber NTE pump makes it ideal for transferring whole or destemmed grapes. And due to its design it can be installed right under the destemmer. It also can be used for the process of devatting.

### I Operating principle

Friction between the rotor and the stator creates vacuum in the inlet area thereby helping the entry of the product into the pump.

The turning motion of the rotor makes the cavities between the rotor and the stator move forward and transport the product to the outlet.

### I Design and features

- Highly versatile.
- Easy to clean.
- Hopper with drain.
- Robust construction.
- Motor: 3 ph 230/400 V (3 kW), 400/690 V (>3 kW), 50 Hz, IP-55.
- Helical-bevel gear units.
- Pump mounted on trolley.
- EC electric panel with ON/OFF switch, inverter and emergency stop push button.
- Standard connection: spherical coupling.
- Rotary wheels with brakes.
- Red painted RAI3003.

### I Materials

Parts in contact with the media	AISI 304
Lantern	Carbon steel
Stator	NBR (specific composition for this application)
Packing gland	PTFE
Surface finish	blasted

### I Options

- Liquid detector: Max / Min.
- Remote control.
- Connections: Garolla, Clamp, Flanges, DIN, etc.
- Electromagnetic brakes in motor.
- Frequency converter (Control Range).
- St.St. control panel.



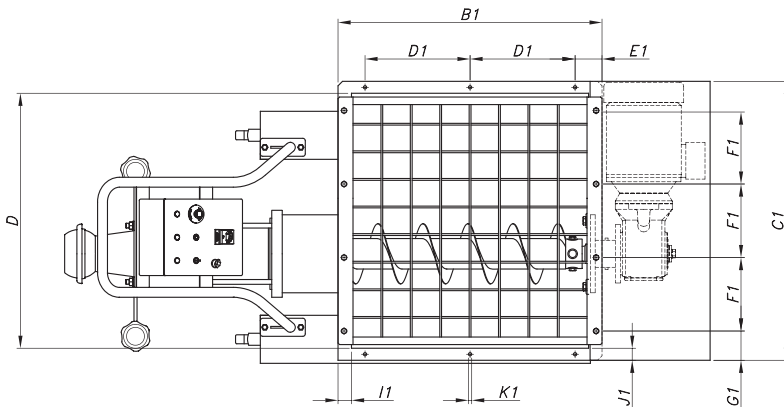
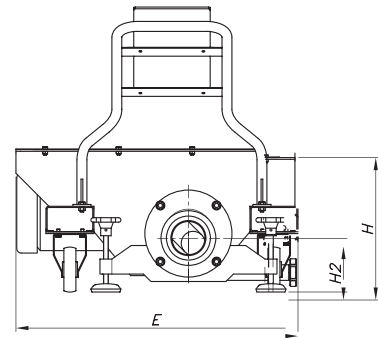
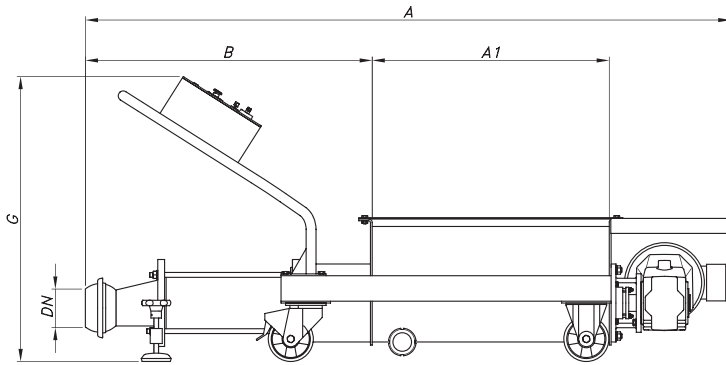
I Technical specifications

Max. flow 90 m<sup>3</sup>/h 396 US GPM  
 Max. working pressure 6 bar 87 PSI  
 Max. working temperature 85 °C 185 °F



Type	Flow <sup>1</sup> [Tn/h]	Speed [rpm]	Power [kW]	Weight [kg]
NTE-60	8/11	210	3	190
NTE-80	20/25		5.5	295
NTE-90	28/36		7.5	320
NTE-100	40/50	170	15	345
NTE-120	55/70			570

(1) Nominal flow for destemmed grapes at 2 - 4 bar / 29 - 58 PSI



Type	DN	A	A1	B	D	E	G	H	H2	Code
NTE-60	100	171	700	740	750	835	850	405	148	D4005-2521503013
NTE-80	120	2150	790	955	850	950	950	475	180	D4008-2521005510
NTE-90		2210		1015					170	D4009-2521507510
NTE-100	150	2255	850	1060	1000	1100	950	490	165	D4010-2521507510
NTE-120		2490		1185					163	D4012-2516515012

Type	Hopper dimensions								
	B1	C1	D1	E1	F1	G1	I1	J1	K1
NTE-60	790	830	300	95	300	115	45	40	11
NTE-80	880	930	350	90	245	97.5			
NTE-90				120	275	127,5			
NTE-100				120	275	127,5			
NTE-120	940	1080							



The information contained in this brochure is for guidance only. We reserve the right to modify any material or feature without notice in advance. For further information, please, consult our web site. [www.inoxpa.com](http://www.inoxpa.com)

